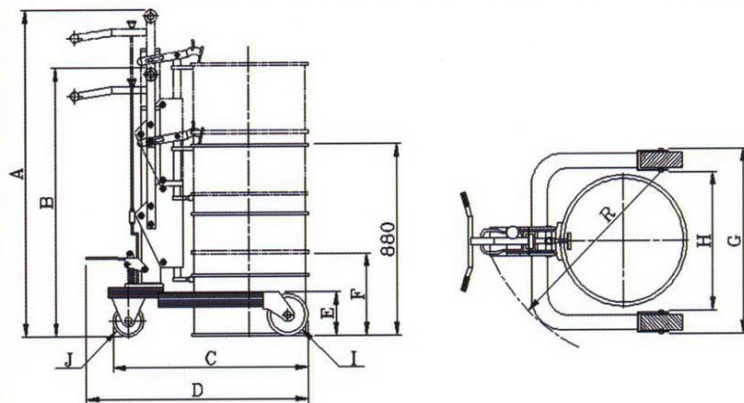


DRUM CARRIER TRUCKS

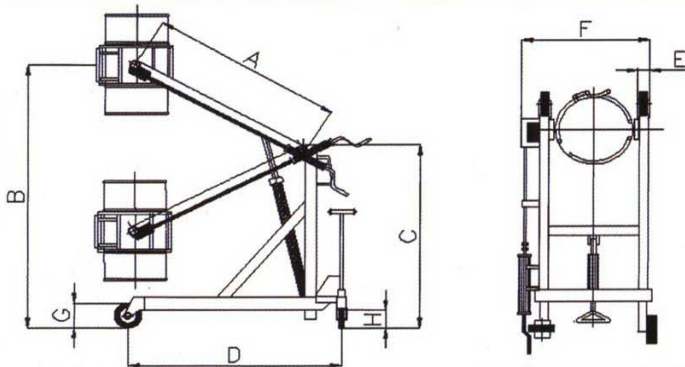


SPECIFICATION		MODEL DC350
Lifting Capacity (kg.)		350
Overall Lifting Height (mm.)	A	1610
Overall Height (mm.)	B	1160
Overall Length (mm.)	C	985
Overall Length (mm.)	D	1090
Arm Height (mm.)	E	200
Maxlifter Height (mm.)	F	360
Out Side Between Arm (mm.)	G	860
In Side Between Arm (mm.)	H	665
Turning radius (mm.)	R	900
Front Wheel (mm.)	I	200
Rear Wheel (mm.)	J	150
NET WEIGHT (kg.)		75



HYDRAULIC DRUM LIFT

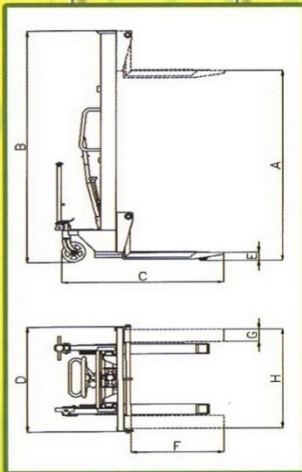
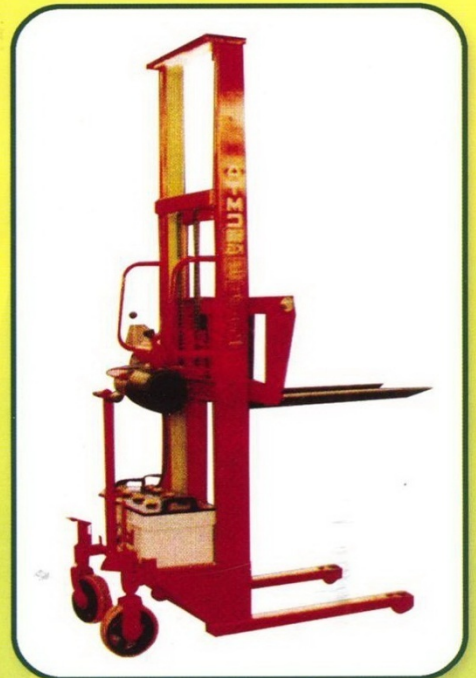
SPECIFICATION		MODEL DL 350
Lifting Capacity (kg.)		350
Fork Length (mm.)	A	1420
Lifting Height (Boom Point) (mm.)	B	2260
Overall Height (mm.)	C	1480
Overall length (mm.)	D	1500
Fork Width (mm.)	E	85
Overall Width (mm.)	F	970
NET WEIGHT (kg.)		280



www.interplus1999.com

HYDRAULIC STACKER

SPECIFICATION	MODEL			
	SK 03-980	SK 06-3500	SK 06-1900	SK 10-1900
Capacity (kg.)	350	600	600	1000
Lifting height (mm.)	A	980	3500	1900
Overall Height (mm.)	B	1150	4050	2285
Overall length (mm.)	C	1100	1450	1465
Overall width (mm.)	D	445	900	900
Fork (lowest position) (mm.)	E	65	85	85
Fork Length (mm.)	F	750	800	800
Fork width (mm.)	G	100	100	125
Out Side Between Arm (mm.)	H	430	850	850
NET WEIGHT (kg.)	80	380	200	270

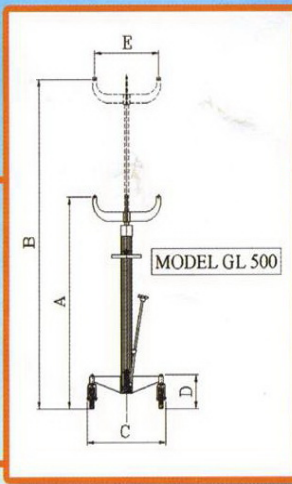


X-LIFT



MADE TO ORDER

AWARDS



GEAR LIFTER

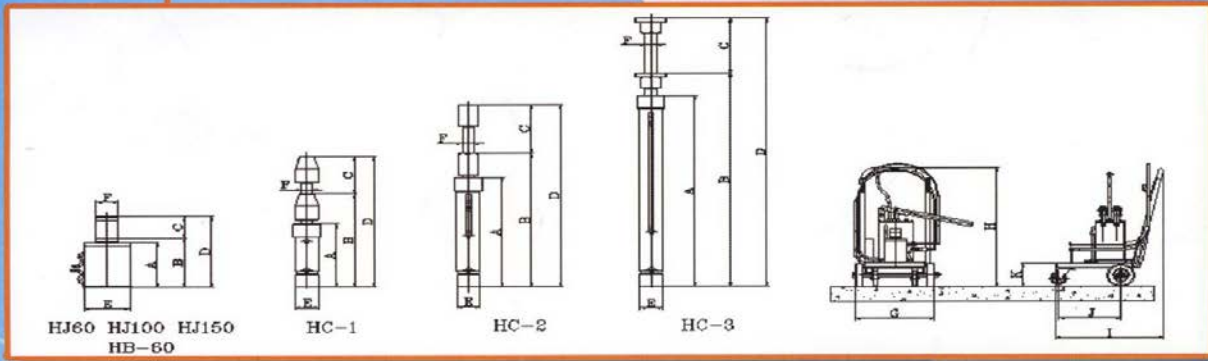
SPECIFICATION

Capacity	kg.	500
Overall Height	A (mm.)	1,370
Overall Lifting Height	B (mm.)	2,000
Out Side Between Leg	C (mm.)	560
Leg Height	D (mm.)	125
Working Width	E (mm.)	420
Net weight	kg.	70

HYDRAULIC JACK



Specification		MODEL						
		HJ 60	HJ 100	HJ 150	HB 60	HC-1	HC-2	HC-3
Capacity	Tons	60	100	150	60	20	20	20
Pressure	PSI	8,000	8,000	8,000	8,000	8,000	8,000	8,000
Cylinder Length	A(mm.)	200	345	305	345	220	375	655
Overall Length	B(mm.)	230	380	345	365	320	460	735
Stroke	C(mm.)	100	195	150	120	60	215	495
Total Length	D(mm.)	330	600	495	485	380	675	1,230
Diameter of Bore	E(mm.)	127	225	250	127	65	65	65
Diameter of Rod	F(mm.)	64	100	120	60	32	32	32
Overall Width	G(mm.)	440	540	550	450	440	440	440
Overall Width	H(mm.)	745	820	805	745	740	740	740
Overall Width	I(mm.)	400	600	600	605	500	500	500
Diameter of Rear Wheel	J(mm.)	340	340	360	344	340	340	340
Diameter of Front Wheel	K(mm.)	155	155	140	160	155	155	155
Weight	kg.	50	130	140	70	50	55	60



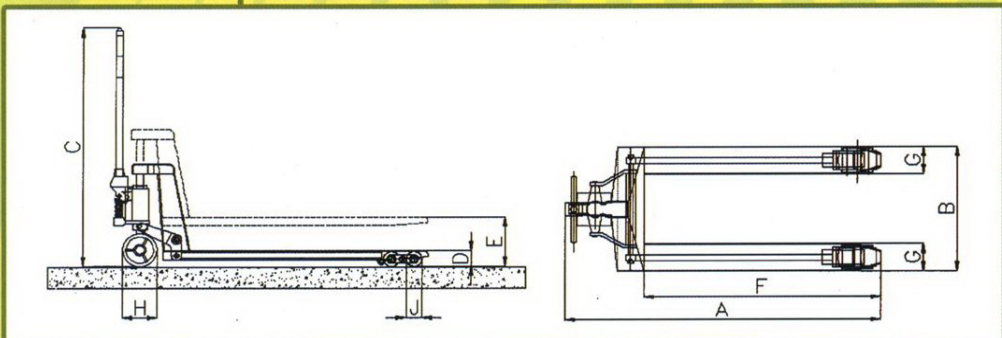
THAI MADE PRODUCT

SERVICE EQUIPMENT

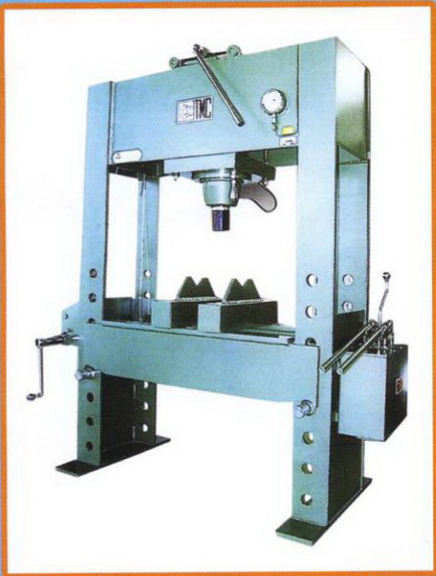
HYDRAULIC HAND PALLET TRUCK



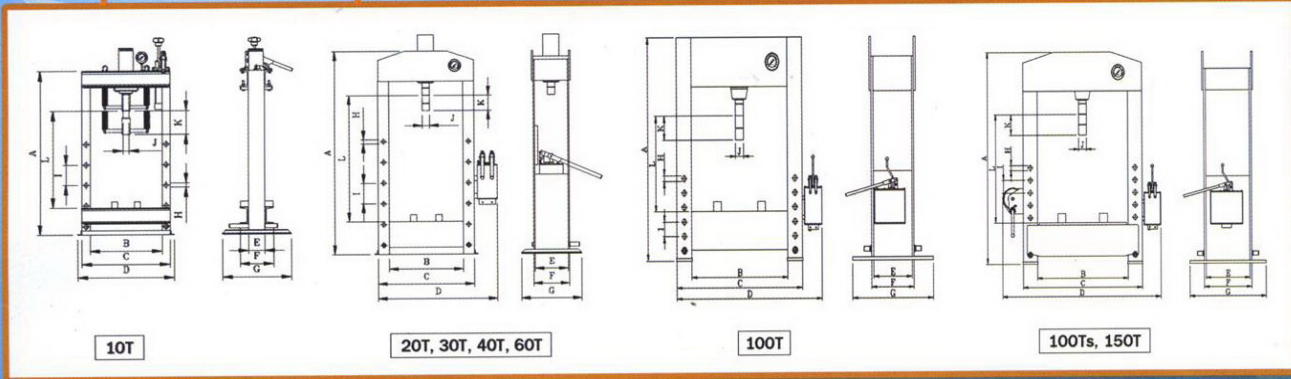
SPECIFICATIONS			
DESCRIPTION		TM 2500	TM 3000
Max Load Capacity (kg.)		2500	3000
Overall Length (mm.)	A	1585	1590
Overall Width (mm.)	B	540/680	680
Overall Height (mm.)	C	1220	1225
Lowered Fork Height (mm.)	D	85	85
Raised Fork Height (mm.)	E	200	200
Fork Length (mm.)	F	1220	1220
Fork width (mm.)	G	160	160
Tandem Front Wheel (Poly urethane) (mm.)	J	80xL70	80xL70
Aluminium Rear Wheel (Poly urethane) (mm.)	H	200xL50	200xL50
NET WEIGHT (kg.)		80	90



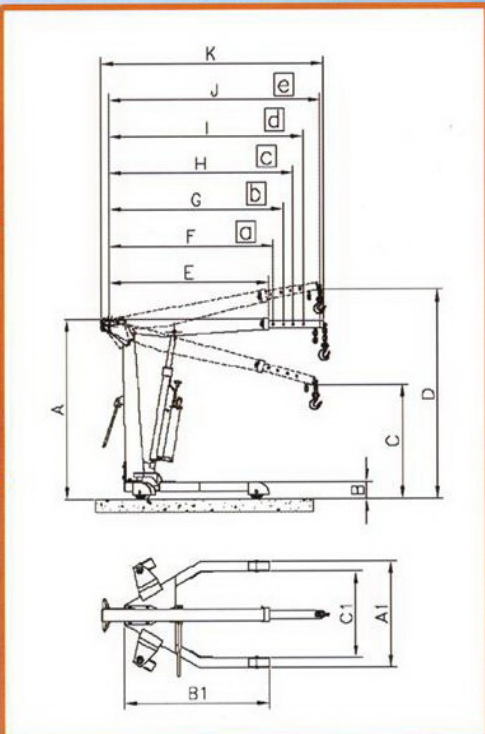
HYDRAULIC PRESS



SPECIFICATION	MODEL	MODEL								
		HP 10	HP 20	HP 30	HP 40	HP 60	HP 100	HP 100S	HP 150	
Capacity	Tons	10	20	30	40	60	100	100	150	
Overall Height	A(mm.)	1,000	1,370	1,570	1,745	1,930	2,070	2,270	2,270	
Working Width	B(mm.)	450	510	560	800	800	1,150	1,150	1,150	
Frame Width	C(mm.)	550	665	760	1,000	1,080	1,505	1,510	1,510	
Overall Width	D(mm.)	600	800	950	1,190	1,270	1,740	2,000	2,000	
Working Width of Side	E(mm.)	100	230	255	285	360	460	555	550	
Frame Width of Side	F(mm.)	210	250	280	310	390	510	600	600	
Overall Width of Side	G(mm.)	430	420	435	480	725	970	970	970	
Frame Hole	H(mm.)	27	27	32	32	40	52	52	52	
Distance Between Frame Hole	I(mm.)	125	140	140	133	133	133	133	133	
Piston Rod Diameter	J(mm.)	38	50	70	75	89	98	98	116	
Ram Stroke	K(mm.)	144	104	155	156	185	224	224	213	
Working Height Ram to Table	L(mm.)	590	850	915	840	895	885	1,160	1,125	
Net Weight	kg.	75	125	210	340	605	1,235	1,520	1,675	

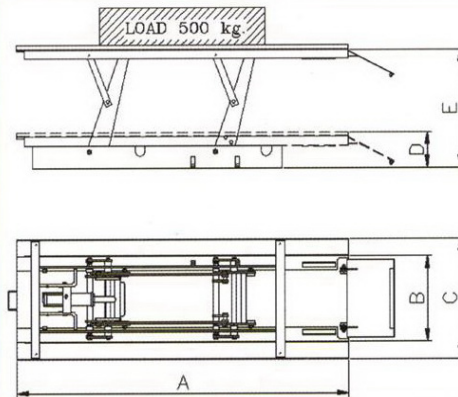


HYDRAULIC FLOOR CRANES



SPECIFICATION	MODEL	MODEL	
		FC-1000	FC-2000
Overall Height	A(mm.)	1,620	1,925
Height of Leg	B(mm.)	150	185
Min. Working Height	C(mm.)	1,200	1,200
Max. Working Height	D(mm.)	2,950	3,540
Length of Arm	E(mm.)	1,340	1,720
Vertical Reach	F(mm.)	1,375	1,750
Vertical Reach	G(mm.)	1,475	1,855
Vertical Reach	H(mm.)	1,575	1,960
Vertical Reach	I(mm.)	1,675	2,065
Vertical Reach	J(mm.)	1,080	1,410
Total Length of Arm	K(mm.)	1,850	2,215
Width of Frame	A1(mm.)	875	1,140
Length of Frame	B1(mm.)	1,470	2,030
Working Width	C1(mm.)	725	915
Capacity	a (kg.)	1,000	2,000
Capacity	b (kg.)	700	1,750
Capacity	c (kg.)	500	1,500
Capacity	d (kg.)	350	1,200
Capacity	e (kg.)	200	850
Net Weight	kg.	180	294

MOTORCYCLE LIFTER



SPECIFICATION

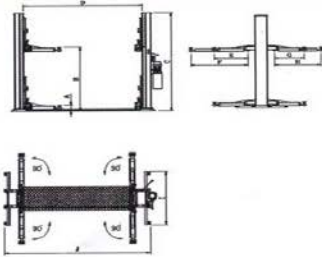
XL 500

Lifting Capacity	kg.	500
Air Pressure	kg/cm ²	7
Overalls Length	A (mm.)	2,000
Lift Table Width	B (mm.)	385
Overalls Width	C (mm.)	700
Lifting Low	D (mm.)	155
Lifting Height	E (mm.)	700
Up Speed Not Load	mm./sec	45
Up Speed Load	mm./sec	20
Net Weight	kg.	175

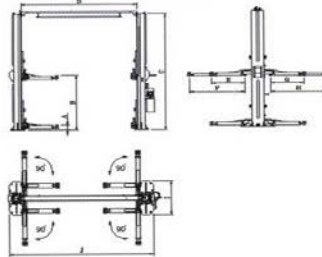


TWO POSTS LIFT

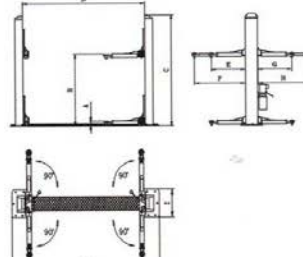
MODEL	CAPACITY (kg.)	VOLTAGE	MOTOR (HP)	MAX.LIFT (mm.)	MIN.LIFT (mm.)	UP SPEED (Sec)	DOWN SPEED (Sec)	A	B	C	D	E	F	G	H	I	J
(mm.)																	
LL-250	2,500	220V/380V	2	1,700	140	35-45	25-35	140	1,700	2,740	2,565	780	1,300	680	1,060	1,200	3,120
LL-300	3,000	220V/380V	2	1,700	140	35-45	25-35	140	1,700	2,740	3,060	780	1,300	780	1,300	1,200	3,615
LL-360	3,600	220V/380V	2	1,700	135	45-55	30-45	135	1,700	3,700	2,880	780	1,300	780	1,300	815	3,420
LT-3500	3,500	220V/380V	3	1,850	120	45-50	30-45	120	1,850	2,860	2,780	800	1,200	800	1,200	520	3,370
LT-3500S	3,500	220V/380V	3	1,840	110	45-50	30-45	110	1,840	3,840	2,750	800	1,200	800	1,200	580	3,420



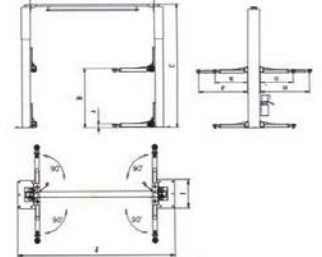
LL250, LL300



LL360



LT-3500

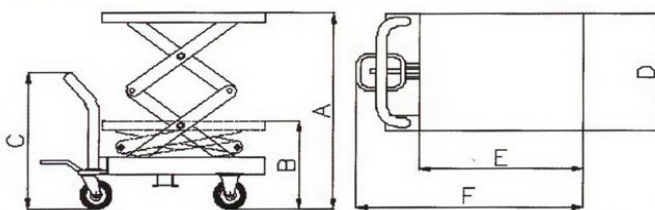


LT-3500S

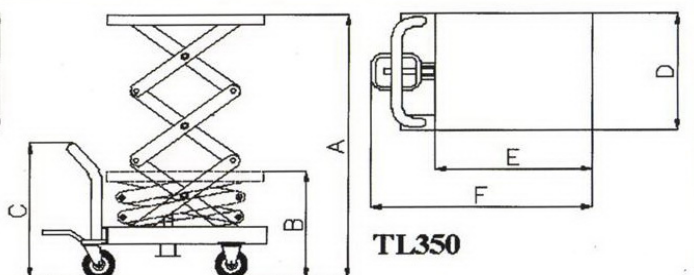
TABLE LIFT

SPECIFICATIONS

DESCRIPTION	TL350	TL500
Lifting Capacity (kg.)	350	500
Overall Lifting Height (mm.)	A	1500
Lowest Height (mm.)	B	460
Hight of Frame (mm.)	C	900
Width of Table (mm.)	D	550
Length of Table (mm.)	E	700
Length of Frame (mm.)	F	980
NET WEIGHT (kg.)	140	125



TL500



TL350