

1011



111001
10110111
1100011
0011011

POWERRAM

HYDRAULIC TOOLS

HYDRAULIC PULLER





MODEL: PM400
Capacity: 4 Ton



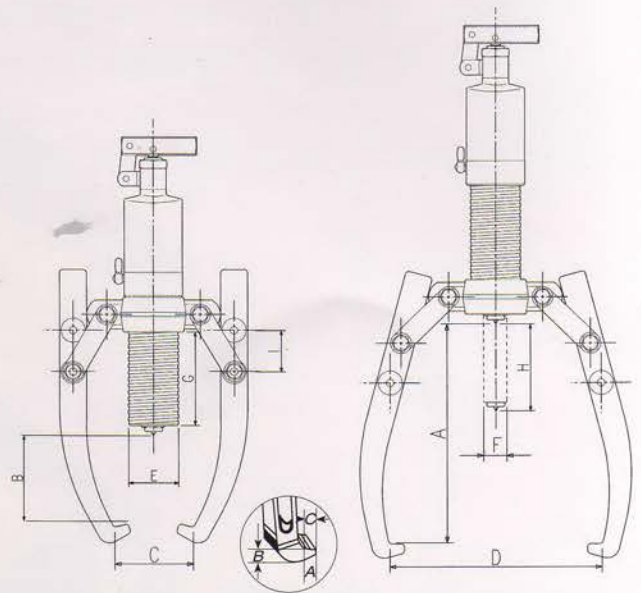
MODEL: PM800
Capacity: 8 Ton



MODEL: PM1200
Capacity: 12 Ton

FEATURES:

- 1 Four stages of foldable & removable handle saves the handle force during operation.
- 2 360° Rotary Socket.
- 3 Self-contained hydraulic pump and puller body with integral safety valve.
- 4 Heat treated & chrome plated hydraulic cylinder rod provides linear force.
- 5 Easily release valve.
- 6 Spring loaded live centering nut for easy job (removable).
- 7 2/3 jaws combination puller cross head with manganous-phosphate plated for rust proof and durability.
- 8 Heat treated forged alloy steel cross bolts & jaws with manganous-phosphate plated for rust proof and long life service.



CAPACITY	MODEL NO.	REACH (mm)		SPREAD (mm)		STROKE (mm)	PUMP TIP (mm)			JAW TIP (mm)				WEIGHT (Kg)
		A	B	C	D		H	E	F	G	A	B	C	
4Ton	PM400	185	70	75	255	60	42	22	84	11	6	22	32	4.5
8Ton	PM800	229	57	100	350	85	50	25	122	11	10	25	51	6.5
12Ton	PM1200	269	103	90	375	85	60	28	118	14	10	29	51	8.0



MODEL: PM410
Capacity: 4 Ton



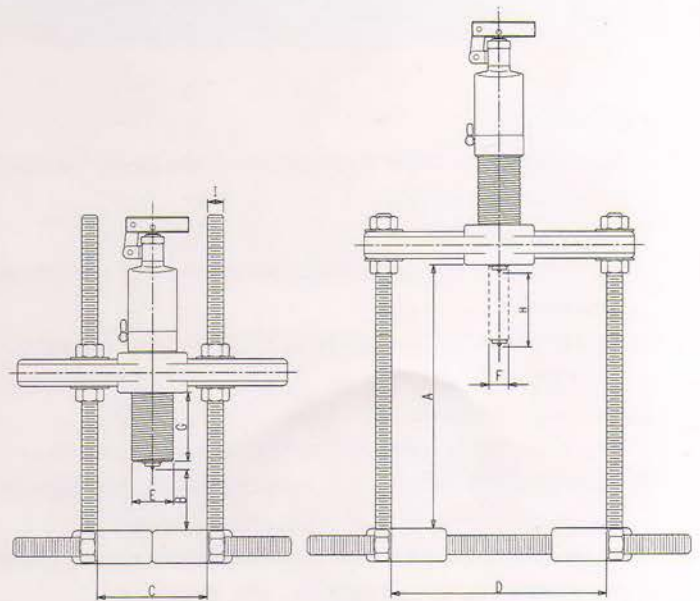
MODEL: PM810
Capacity: 8 Ton



MODEL: PM1210
Capacity: 12 Ton

FEATURES:

- 1 Four stages of foldable & removable handle saves the handle force during operation.
- 2 360° Rotary Socket.
- 3 Self-contained hydraulic pump and puller body with integral safety valve.
- 4 Heat treated & chrome plated hydraulic cylinder rod provides linear force.
- 5 Easily release valve.
- 6 Spring loaded live centering nut for easy job (removable).
- 7 2 jaws puller cross head with manganous-phosphate plated for rust proof and durability.
- 8 Heat treated, chrome plated & alloy steel stud for rust proof and free reach.
- 9 Impact set including available size of bearing attachment for great and safety job.



CAPACITY	MODEL NO.	REACH (mm)		SPREAD (mm)		STROKE (mm)	PUMP TIP (mm)			JAW TIP (mm)				WEIGHT (Kg)
		A	B	C	D		H	E	F	G	A	B	C	
4Ton	PM410	250	-	55	110	60	42	22	84	-	-	-	-	8.5
8Ton	PM810	270	-	95	220	85	50	25	122	-	-	-	-	12.5
12Ton	PM1210	381	-	120	290	85	60	28	118	-	-	-	-	18.0



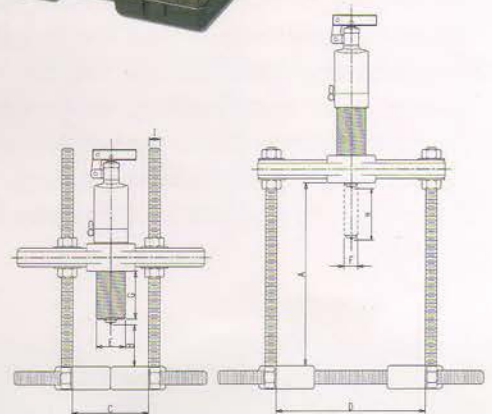
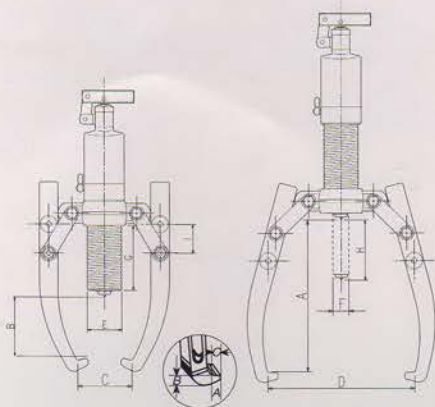
MODEL: PM820
Capacity: 8 Ton

MODEL: PM420
Capacity: 4 Ton

MODEL: PM1220
Capacity: 12 Ton

FEATURES:

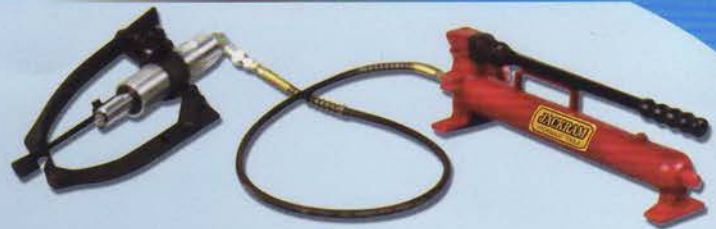
- 1 Special package model includes 2/3 jaws puller and 2 jaws puller with attachment in one set.
- 2 Ideal impact package with light PE case for carrying.
- 3 One complete set with two kinds of puller for user*s convenience always.



CAPACITY	MODEL NO.	REACH (mm)		SPREAD (mm)		STROKE (mm)	PUMP TIP (mm)			JAW TIP (mm)				WEIGHT (Kg)
		A	B	C	D		H	E	F	G	A	B	C	
4Ton	PM420	185/250	70	75/55	255/110	60	42	22	84	11	6	22	32	4.5/8.5
8Ton	PM820	229/270	57	100/95	350/220	85	50	25	122	11	10	25	51	6.5/12.6
12Ton	PM1220	269/381	103	90/120	375/290	85	60	28	118	14	10	29	51	8.0/18.0



MODEL: PR400
Capacity: 4 Ton



MODEL: PR1200
Capacity: 12 Ton



MODEL: PR800
Capacity: 8 Ton



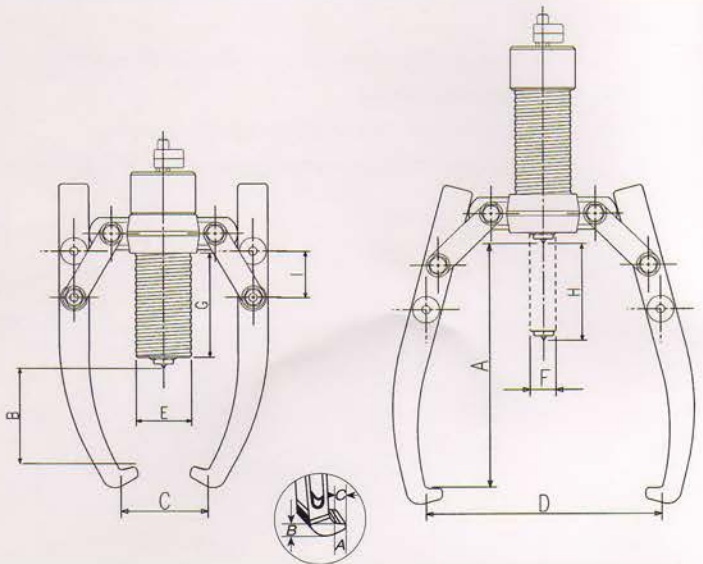
MODEL: PR2000
Capacity: 20 Ton



MODEL: PR3000
Capacity: 30 Ton

FEATURES:

- 1 Heat treated & chrome plated hydraulic cylinder rod provides linear force.
- 2 Easily release valve.
- 3 Spring loaded live centering nut for easy job (removable).
- 4 2/3 jaws combination puller cross head with manganous-phosphate plated for rust proof and durability.
- 5 Heat treated forged alloy steel cross bolts & jaws with manganous-phosphate plated for rust proof and long life service.
- 6 Patent Pending design of two stages stroking, the first stage being as fast stroking for quickly connecting with object, and the second stage being as high hydraulic output for pulling job.



CAPACITY	MODEL NO.	REACH (mm)		SPREAD (mm)		STROKE (mm)	PUMP TIP (mm)			JAW TIP (mm)				WEIGHT (Kg)
		A	B	C	D		H	E	F	G	A	B	C	
4Ton	PR400	185	70	75	255	60	42	22	84	11	6	22	32	9.5
8Ton	PR800	229	57	100	350	85	50	25	122	11	10	25	51	11.5
12Ton	PR1200	269	103	90	375	85	60	28	118	14	10	29	51	14.0
20Ton	PR2000	360	190	210	520	111	80	40	161	20	27	33	60	20
30Ton	PR3000	360	190	225	550	111	98	50	155	20	27	38	60	30



MODEL: PR810
Capacity: 8 Ton



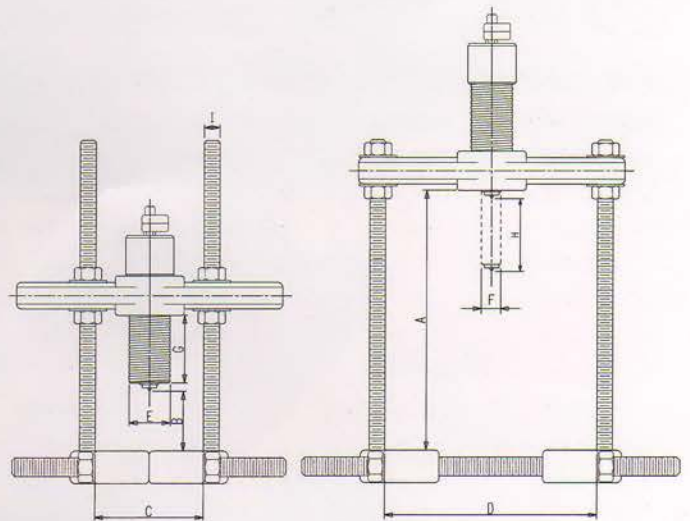
MODEL: PR410
Capacity: 4 Ton



MODEL: PR1210
Capacity: 12 Ton

FEATURES:

- 1 Heat treated & chrome plated hydraulic cylinder rod provides linear force.
- 2 Easily release valve.
- 3 Spring loaded live centering nut for easy job (removable).
- 4 2 jaws puller cross head with manganous-phosphate plated for rust proof and durability.
- 5 Heat treated, chrome plated & alloy steel stud for rust proof and free reach.
- 6 Impact set including available size of bearing attachment for great and safety job.



CAPACITY	MODEL NO.	REACH (mm)		SPREAD (mm)		STROKE (mm)	PUMP TIP (mm)			JAW TIP (mm)				WEIGHT (Kg)
		A	B	C	D		H	E	F	G	A	B	C	
4Ton	PR410	250	-	55	110	60	42	22	84	-	-	-	-	13.5
8Ton	PR810	270	-	95	220	85	50	25	122	-	-	-	-	17.5
12Ton	PR1210	381	-	120	290	85	60	28	118	-	-	-	-	24.5